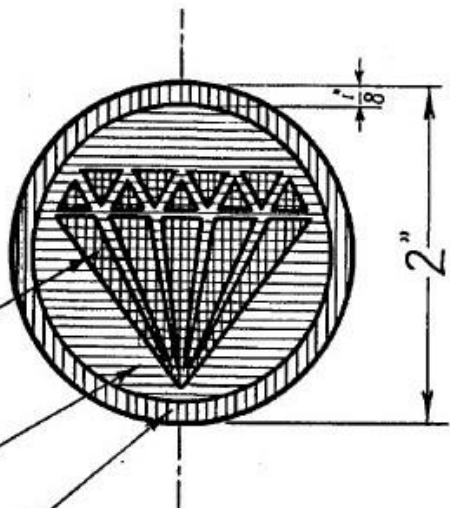


Taylor & Hunt
CHIEF, HERALDIC BRANCH

APPROVED FOR G. M. G.

CHECKED BY

DRAWN BY 5



BLACK
CABLE NO. 65018

LIGHT BLUE
CABLE NO. 65014

SCARLET
CABLE NO. 65006

2880 STITCHES

LIGHT BLUE ----- 150/2 DENIER
BLACK ----- 100/2 DENIER
SCARLET ----- 150/2 DENIER

CANCELLED 8 August 1960

REVISED 18 JUNE '53 1 May '56

TITLE
150TH REGIMENTAL COMBAT TEAM

DATE **9 APR '53**

DEPARTMENT OF THE ARMY
O. Q. M. G.

DRAWING NO.
A-1-12